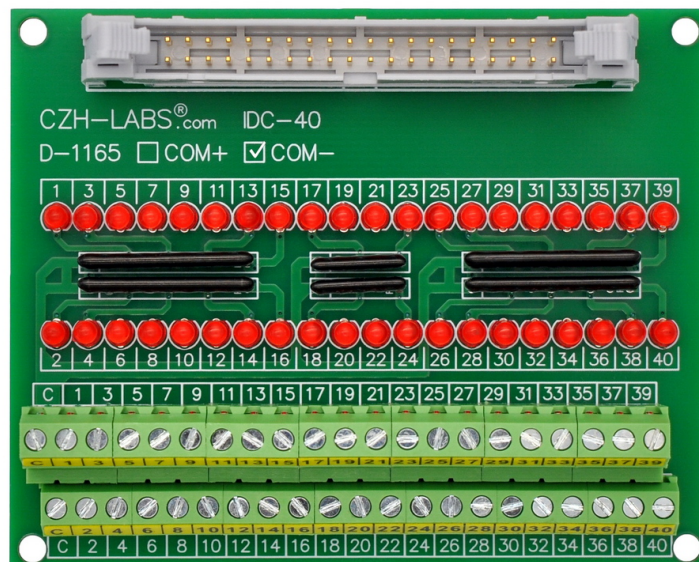
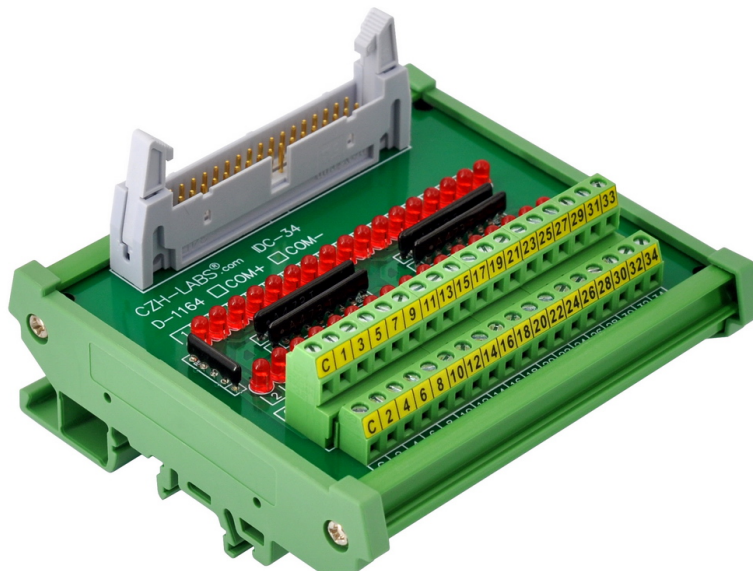


CZH-LABS.com Electronics-Salon

**DIN 41651 Flat Ribbon Cable Breakout Board Module
with LEDs For Circuit Indication, PCB Screw or DIN Rail Mounted**

D-1158 to D-1168 Series, IDC10 to IDC64



Features:

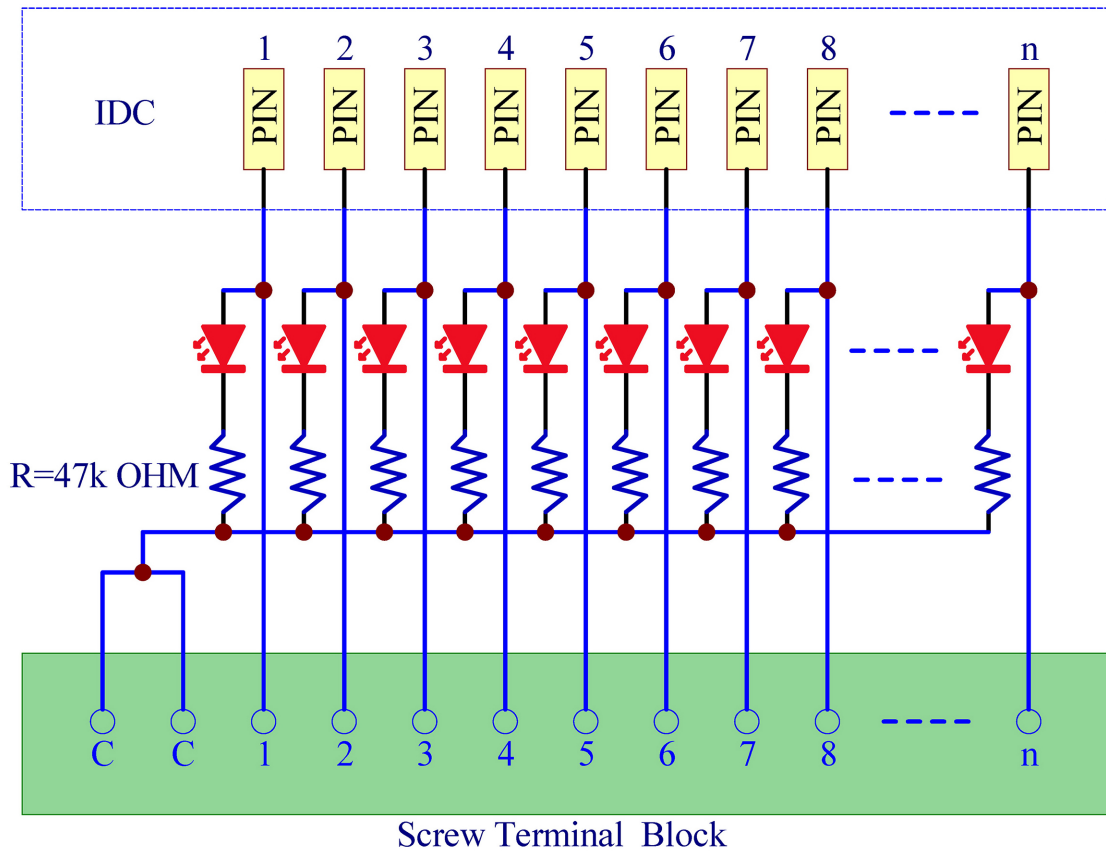
- Standard DIN 41651 IDC/FRC connector, pin pitch 2.54mm / 0.1", IDC10 to IDC64 Selectable.
- Screw terminal block: Pin pitch of 3.81mm/0.15", wire range of 26 - 16AWG / 1.0mm square, strip length 5mm, and M2 metric screws.
- Each pin of the IDC connector corresponds to a terminal block position. Each connection pin is equipped with an LED to indicate the signal status.
- Choose between different versions of COM+ and COM- to easily configure low-level or high-level LED indicators.
- Rated voltage 50V. Rated current 1 Amp / per pin. The LED supports a signal voltage range of 5V - 50V for indication.
- Support PCB screw or DIN rail mount version selections. Made from high-quality fireproof nylon, the DIN rail mount carrier supports 35mm, 32mm, or 15mm rail widths.
- Certified for safety with UL, CE, and CQC certified terminal blocks, UL-certified IDC connector. UL 94-V0 certified PCB, UL/CE certified DIN rail mount carrier.
- Operating Temperature: -40 to 85C.

Version List:

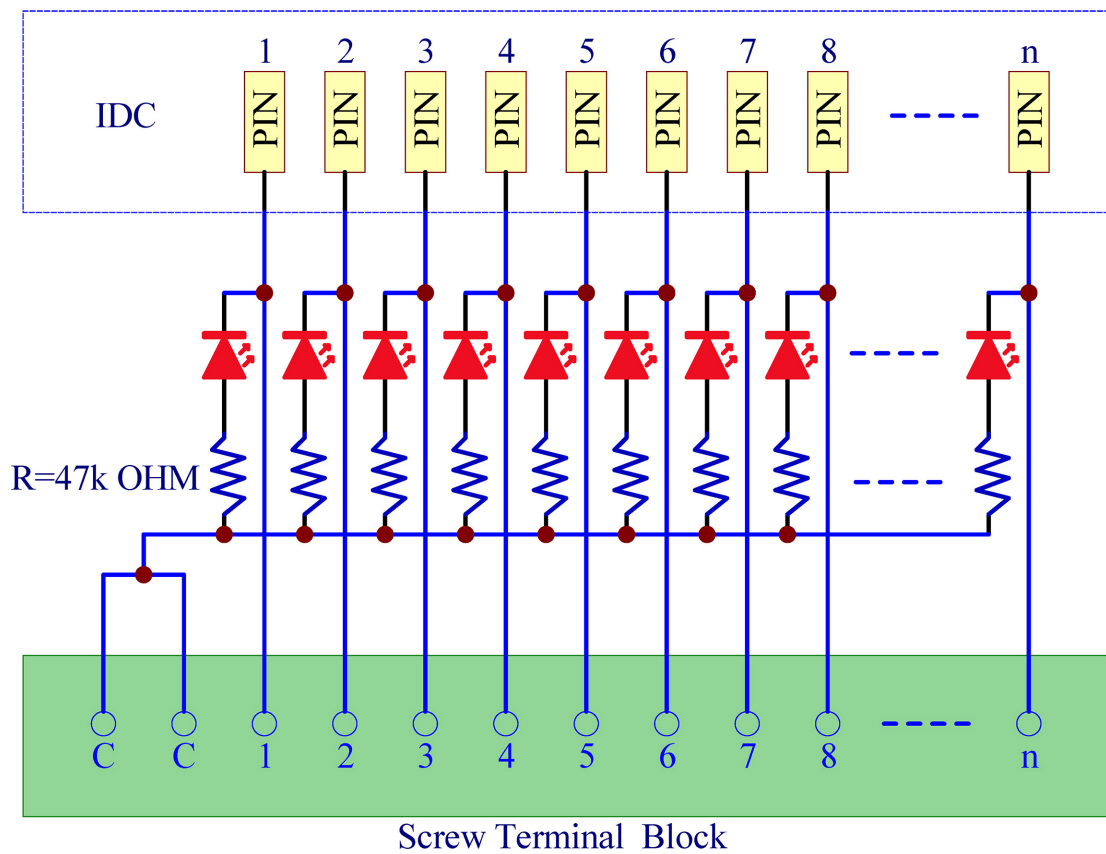
IDC pins	Series	Part Number	LED Circuit	Mount Type
IDC-10	D-1158	D-1158A	COM+	PCB screw mount
		D-1158B	COM-	PCB screw mount
		D-1158AT	COM+	DIN rail mount
		D-1158BT	COM-	DIN rail mount
IDC-14	D-1159	D-1159A	COM+	PCB screw mount
		D-1159B	COM-	PCB screw mount
		D-1159AT	COM+	DIN rail mount
		D-1159BT	COM-	DIN rail mount
IDC-16	D-1160	D-1160A	COM+	PCB screw mount
		D-1160B	COM-	PCB screw mount
		D-1160AT	COM+	DIN rail mount
		D-1160BT	COM-	DIN rail mount
IDC-20	D-1161	D-1161A	COM+	PCB screw mount
		D-1161B	COM-	PCB screw mount
		D-1161AT	COM+	DIN rail mount
		D-1161BT	COM-	DIN rail mount
IDC-26	D-1162	D-1162A	COM+	PCB screw mount
		D-1162B	COM-	PCB screw mount
		D-1162AT	COM+	DIN rail mount
		D-1162BT	COM-	DIN rail mount

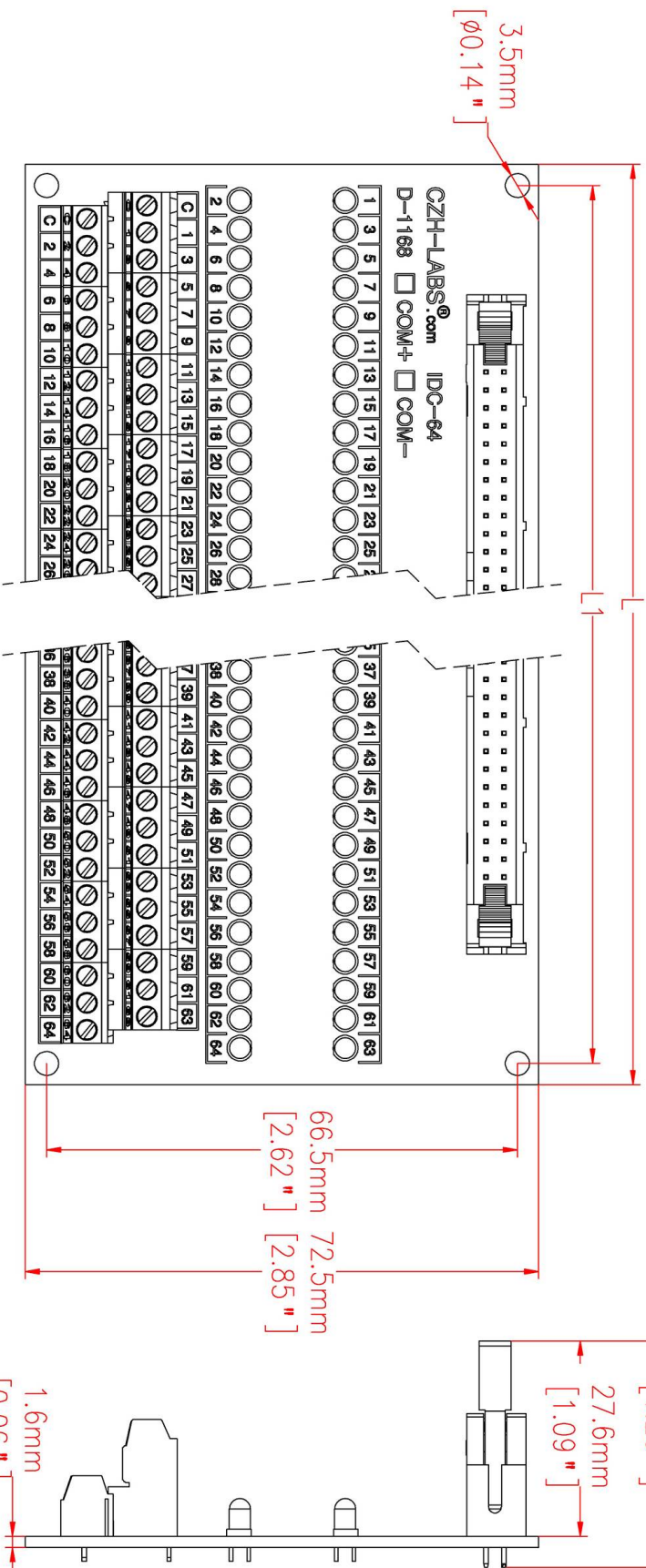
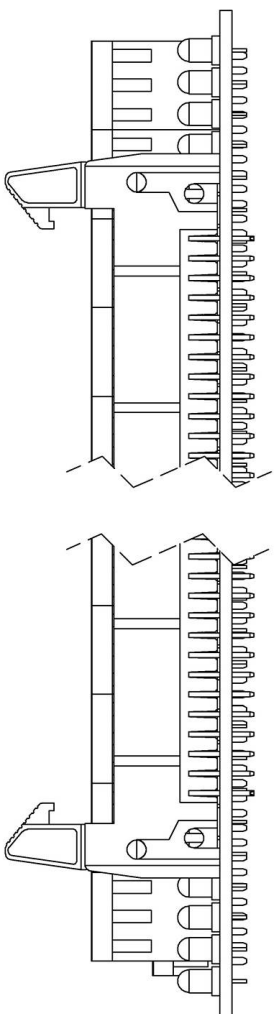
IDC-30	D-1163	D-1163A	COM+	PCB screw mount
		D-1163B	COM-	PCB screw mount
		D-1163AT	COM+	DIN rail mount
		D-1163BT	COM-	DIN rail mount
IDC-34	D-1164	D-1164A	COM+	PCB screw mount
		D-1164B	COM-	PCB screw mount
		D-1164AT	COM+	DIN rail mount
		D-1164BT	COM-	DIN rail mount
IDC-40	D-1165	D-1165A	COM+	PCB screw mount
		D-1165B	COM-	PCB screw mount
		D-1165AT	COM+	DIN rail mount
		D-1165BT	COM-	DIN rail mount
IDC-50	D-1166	D-1166A	COM+	PCB screw mount
		D-1166B	COM-	PCB screw mount
		D-1166AT	COM+	DIN rail mount
		D-1166BT	COM-	DIN rail mount
IDC-60	D-1167	D-1167A	COM+	PCB screw mount
		D-1167B	COM-	PCB screw mount
		D-1167AT	COM+	DIN rail mount
		D-1167BT	COM-	DIN rail mount
IDC-64	D-1168	D-1168A	COM+	PCB screw mount
		D-1168B	COM-	PCB screw mount
		D-1168AT	COM+	DIN rail mount
		D-1168BT	COM-	DIN rail mount

Schematic (COM-)



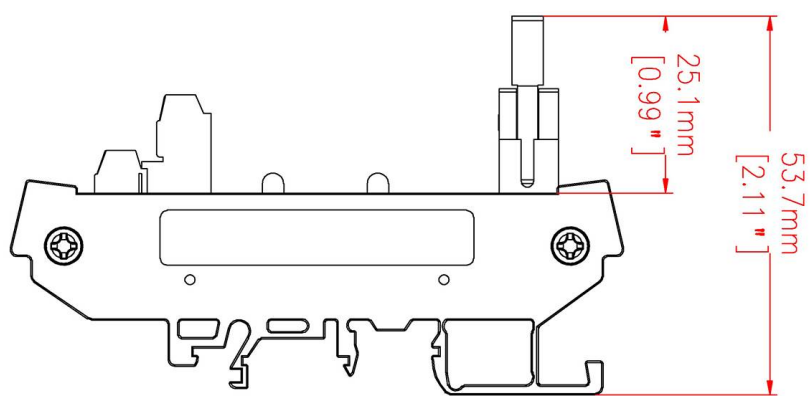
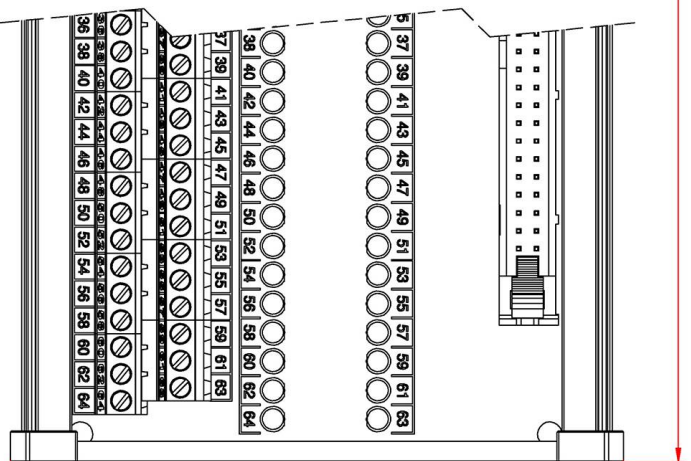
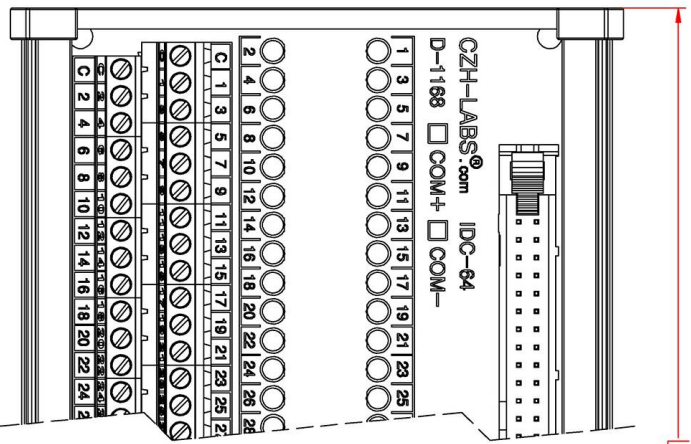
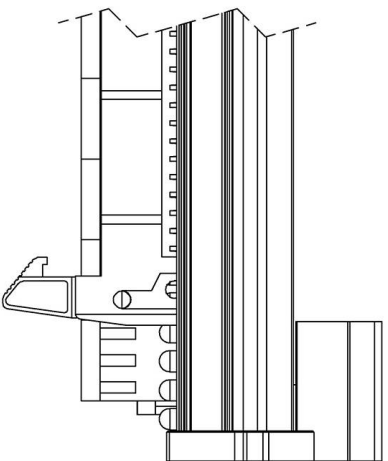
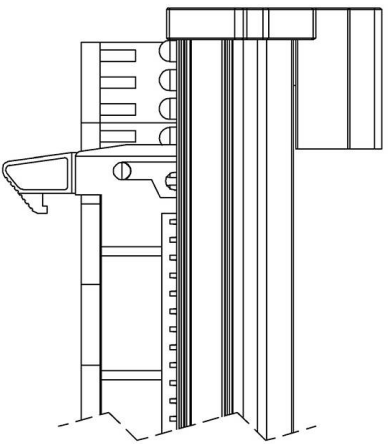
Schematic (COM+)





TYPE	IDC 10	IDC 14	IDC 16	IDC 20	IDC 26	IDC 30	IDC 34	IDC 40	IDC 50	IDC 60	IDC 64
MODULE NO:	D-1158	D-1169	D-1160	D-1161	D-1162	D-1163	D-1164	D-1165	D-1166	D-1167	D-1168
L	Unit (mm) 47.352	60	60	60	70	70	90	90	120	137.35	137.35
	Unit (inch) 1.864	2.362	2.362	2.362	2.756	2.756	3.543	3.543	4.724	5.407	5.407
L1	Unit (mm) 41.352	54	54	54	64	64	84	84	114	131.35	131.35
	Unit (inch) 1.628	2.126	2.126	2.126	2.520	2.520	3.307	3.307	4.488	5.171	5.171





TYPE	IDC 10	IDC 14	IDC 16	IDC 20	IDC 26	IDC 30	IDC 34	IDC 40	IDC 50	IDC 60	IDC 64
MODULE NO.:	D-1158	D-1169	D-1160	D-1161	D-1162	D-1163	D-1164	D-1165	D-1166	D-1167	D-1168
Unit (mm)	49.352	62	62	62	72	72	92	92	122	139.35	139.35
Unit (inch)	1.943	2.441	2.441	2.441	2.835	2.835	3.622	3.622	4.803	5.486	5.486